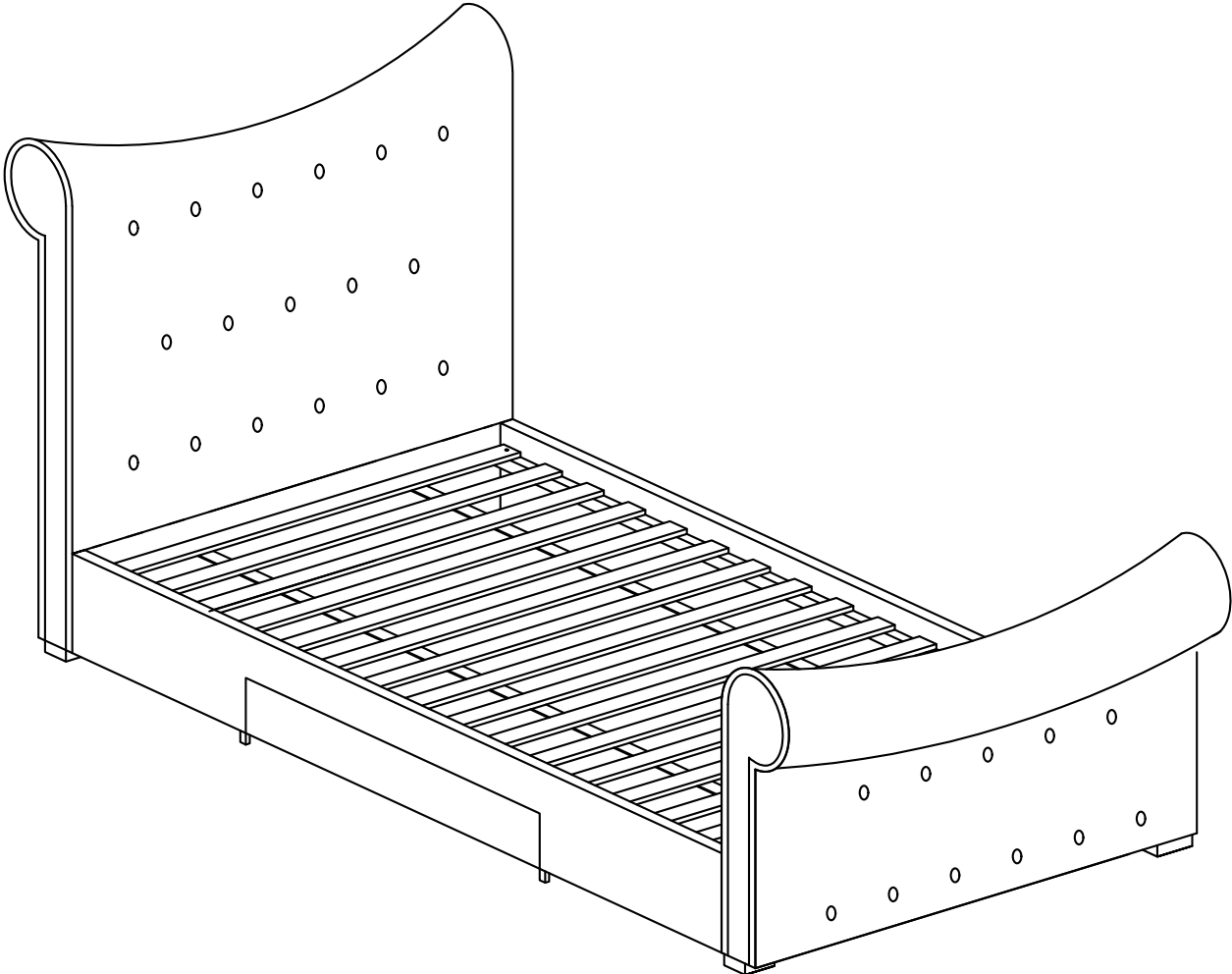


# Paige Single Bed



1 hour approx  
assembly time



Two person  
assembly

**Dreams**

# Thank you

Hello, thanks for choosing to purchase your bed from Dreams - you're now on your way to your best ever night's sleep. Before you begin building your bed, please take a moment to read through the instructions and make sure that you've got all the relevant parts listed on the following pages.



## Assembly tips

Before you begin, it's best to identify all parts and fittings to build your bed. We advise laying these out on the floor to check you have everything, and familiarising yourself before building.



## Top tip

We recommend that you build your new bed in the room you'd like it to be located - this will help prevent any risk of damage to your newly built bed whilst moving it.



## Safety and care

It's really important to ensure children and animals are kept away from the assembly area, as there are small components used in this bed which could present a choking hazard. All plastic and wrapping materials should also be kept away from children and animals to prevent any risk of suffocation. To keep your little ones busy, there is a colouring page inside the back cover.



## Help and support

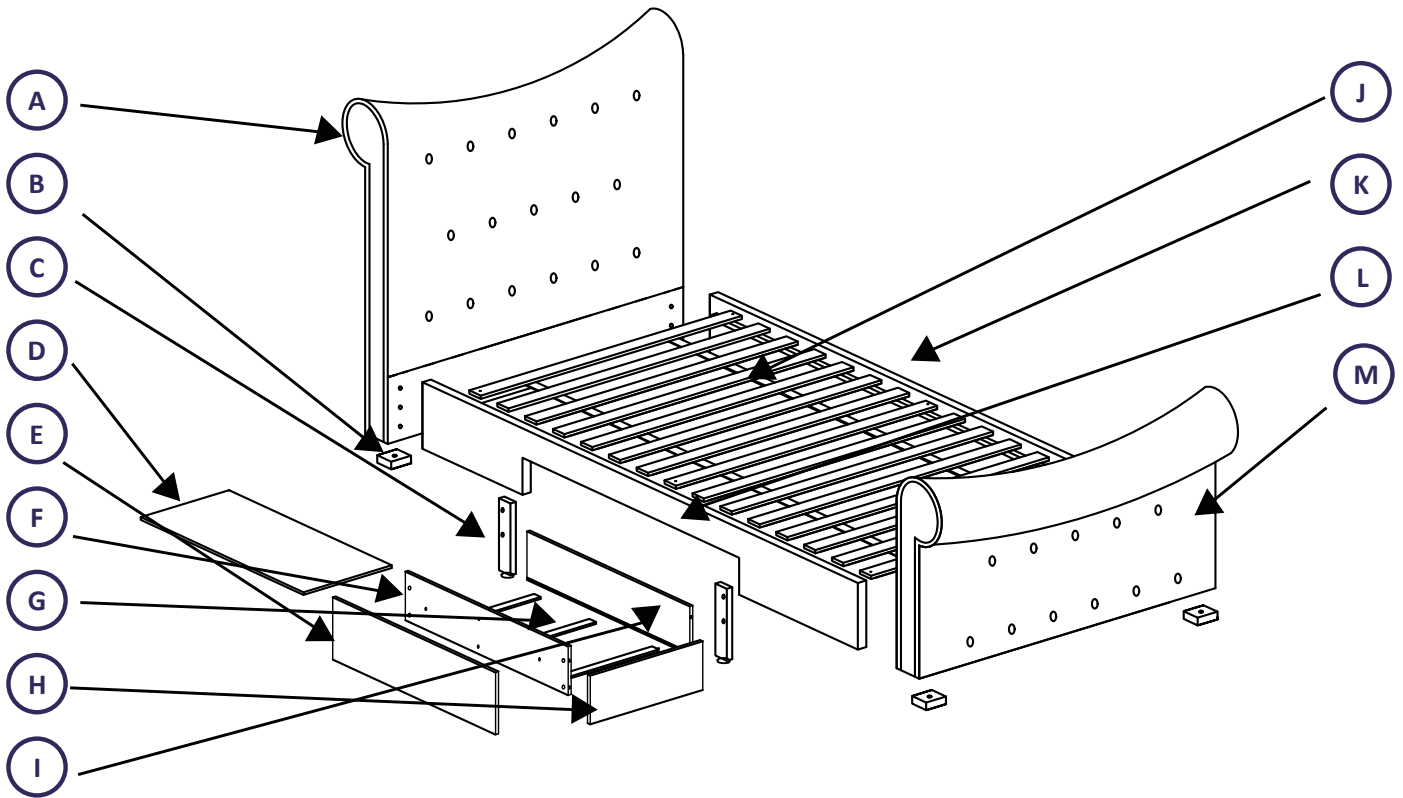
At Dreams, it's our mission to give the whole nation a great night's sleep – this means that the quality of our products is of utmost importance to us. If there are any issues with your product or any missing parts, please visit our website at [www.dreams.co.uk/help](http://www.dreams.co.uk/help)



## Recycling

Please ensure that packaging is disposed of in a safe and environmentally friendly way, and recycle where possible. Our assembly instructions are printed on recycled paper. Please keep your assembly instructions safe to refer back to in the future.

# Parts

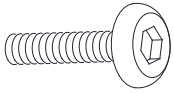


## Parts list

<b>A.</b>	HEADBOARD	QTY	1	<b>H.</b>	SIDE PANEL	QTY	2
<b>B.</b>	WOODEN FEET	QTY	4	<b>I.</b>	BACK PANEL	QTY	1
<b>C.</b>	SUPPORT LEG	QTY	2	<b>J.</b>	SLATS	QTY	1
<b>D.</b>	DRAWER BOTTOM BOARD	QTY	1	<b>K.</b>	SIDE RAIL	QTY	1
<b>E.</b>	DRAWER FRONT	QTY	1	<b>L.</b>	SIDE RAIL WITH DRAWER	QTY	1
<b>F.</b>	FRONT PANEL	QTY	1	<b>M.</b>	FOOTBOARD	QTY	1
<b>G.</b>	SUPPORT RAIL	QTY	3				

# Fittings

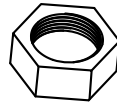
Please check you have all the parts listed below with your product:



H1: M8 x 30mm  
Qty: x12



H2: M6 x 50mm  
Qty: x6



H3: M6 Nut  
Qty: x6



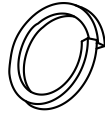
H4: M8 Flat Washer  
Qty: x12



H5: M8 Allen key  
Qty: x1



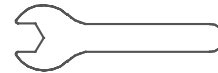
H6: M6 Allen Key  
Qty: x1



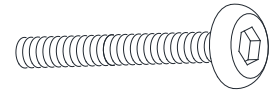
H7: Spring Washer  
Qty: x12



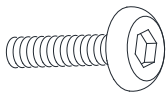
H8: M6 Flat Washer  
Qty: x14



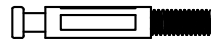
H9: M6 Spanner  
Qty: x1



H10: M8 x 50mm  
Qty: x4



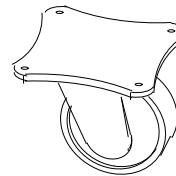
H11: M6 x 35mm  
Qty: x8



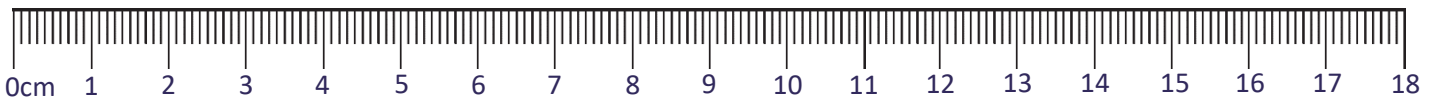
H12: Hidden Dowel  
Qty: x20



H13: Hidden Cam  
Qty: x20



H14: Caster  
Qty: x4



## Tools required

Please check you have all these below:



Flathead  
screwdriver



Scissors



Spanner



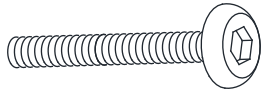
Tape measure



Cross head  
screwdriver

# Bed assembly

1

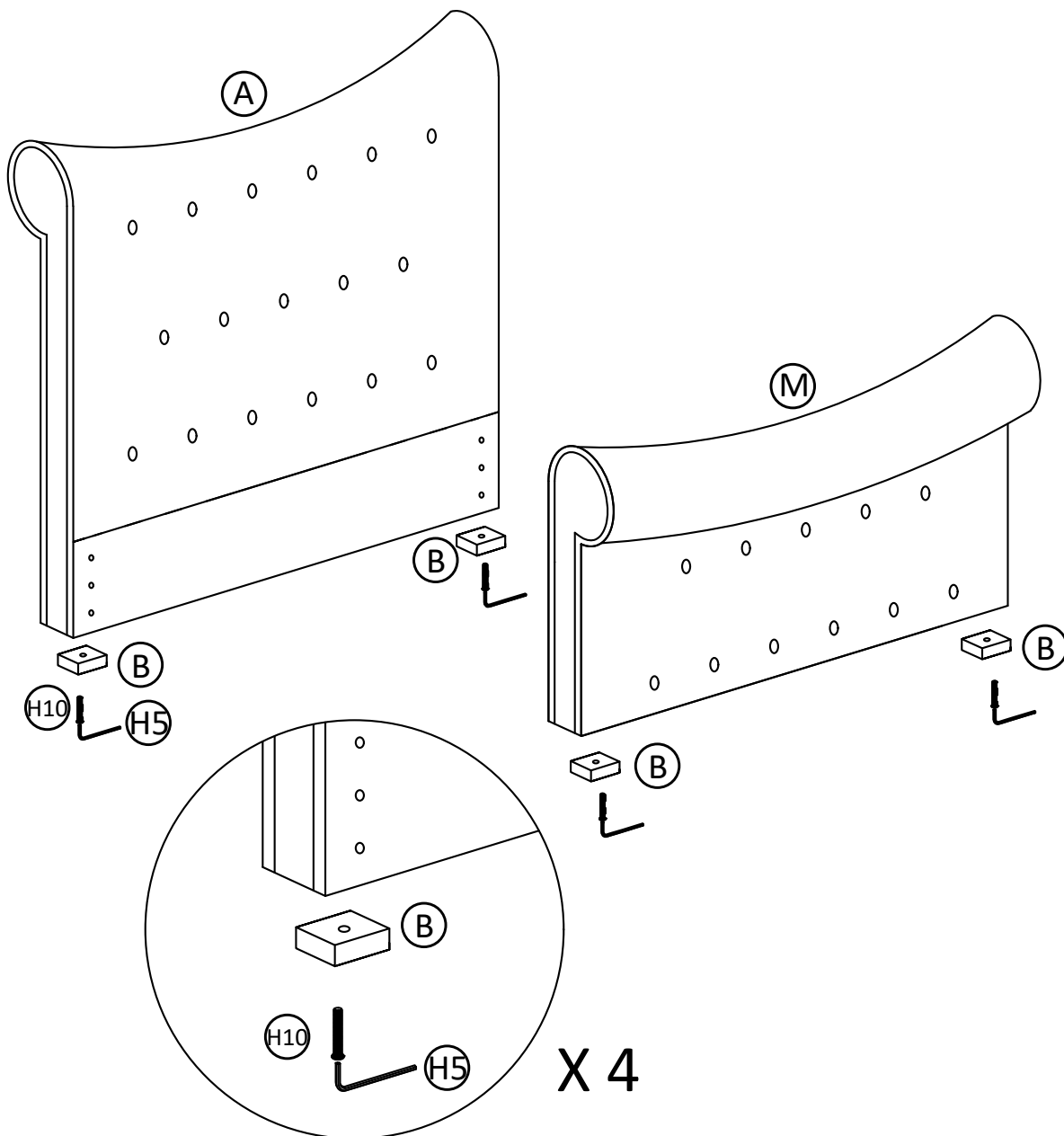


H10:M8 x 50mm  
Qty: x4



H5: M8 Allen key  
Qty: x1

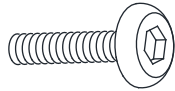
Fix the Wooden Feel (B) to the Headboard(A) and Footboard(M) by using Bolt (H10) with Allen key M8(H5).



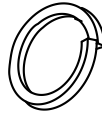
# Bed assembly



H5: M8 Allen key  
Qty: x1



H1: M8 x 30mm  
Qty: x12



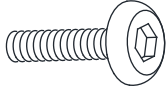
H7: Spring Washer  
Qty: x12



H4: M8 Flat Washer  
Qty: x12



H6: M6 Allen Key  
Qty: x1



H11: M6 x 35mm  
Qty: x4



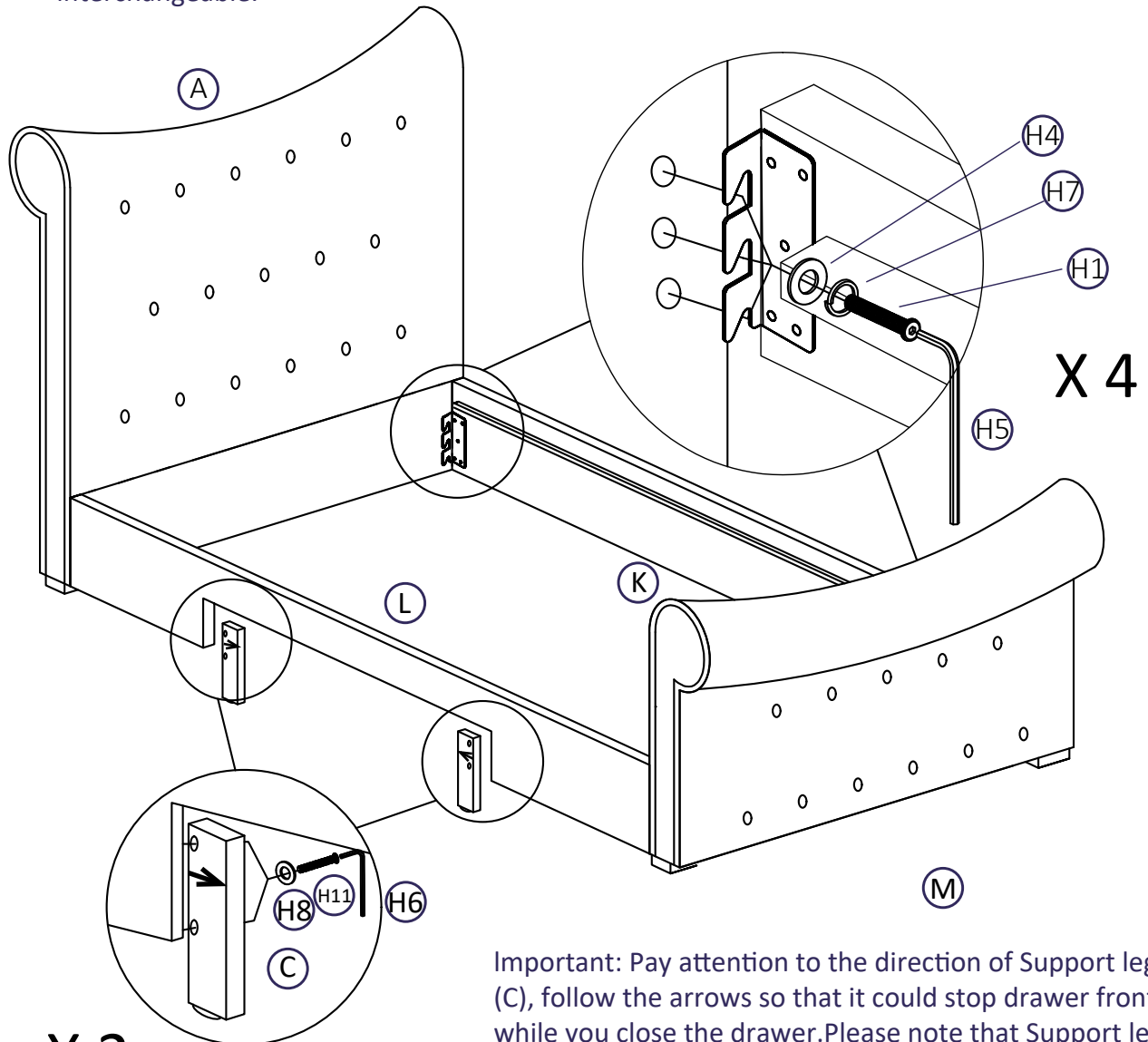
H8: M6 Flat Washer  
Qty: x 4

2

Use Bolt (H1), Spring washer (H7) and Flat washer (H4) to fix the Side Rail ( K and L ) onto Headboard ( A ) and Footboard ( M ) by using Allen Key ( H5 ).

Use Bolt (H11) and Flat Washer (H8) to fix the Support Leg (C) onto Side Rail (L) by using Allen Key (H6).

Please note that position of Side Rail (K) and Side Rail (L) are interchangeable.



Important: Pay attention to the direction of Support legs (C), follow the arrows so that it could stop drawer front while you close the drawer. Please note that Support legs (C) are adjustable, please adjust the height after assembly so that it's 5mm above the floor

# Bed assembly



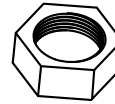
H6: M6 Allen Key  
Qty: x1



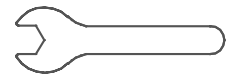
H2: M6 x 50mm  
Qty: x6



H8: M6 Flat Washer  
Qty: x 6



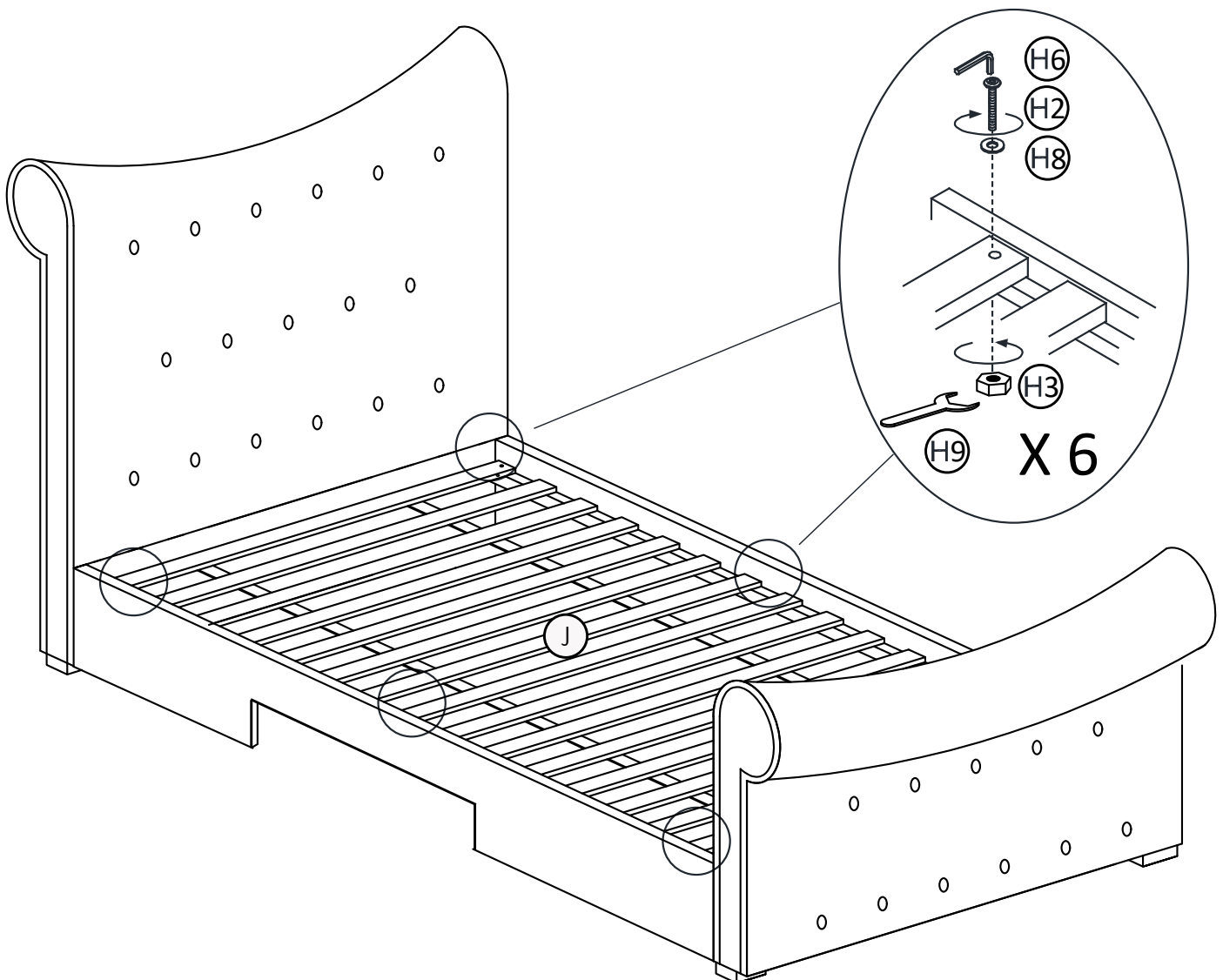
H3: M6 Nut  
Qty: x6



H9: M6 Spanner  
Qty: x1

3

Carefully locate the slats(J) onto the unit. Use Bolt (H2), Flat Washer (H8) and M6 Nut (H3) to fix the unit using Allen Key (H6) and Spanner Key (H9).

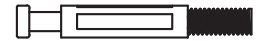


# SPECIAL TIPS FOR FITTING HIDDEN DOWEL AND HIDDEN CAM

HIDDEN CAM



HIDDEN DOWEL



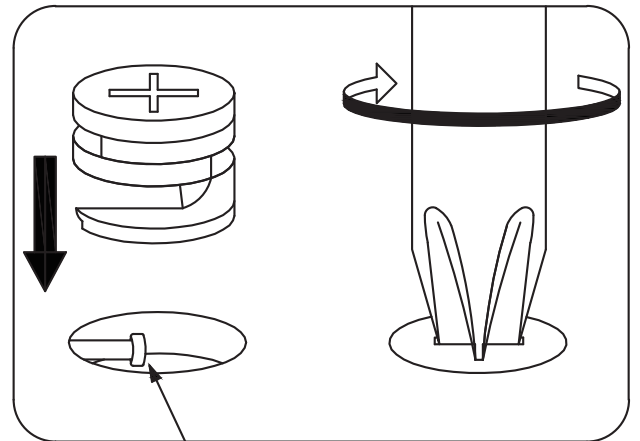
Important: No power drill for the drawer cross nuts tightening.

Align with long point of cross.

**WHEN FITTING CAMS**

ENSURE STARTING POSITION IS CORRECT BEFORE YOU INSERT CONNECTING HIDDEN DOWEL TURN CLOCKWISE UNTILE SECURE.

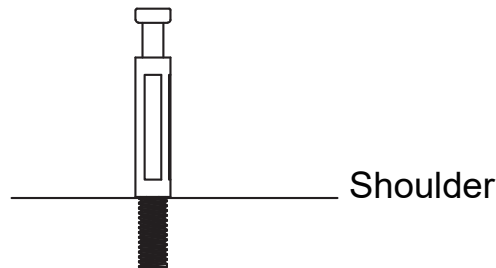
**CORRECT**                      **WRONG**



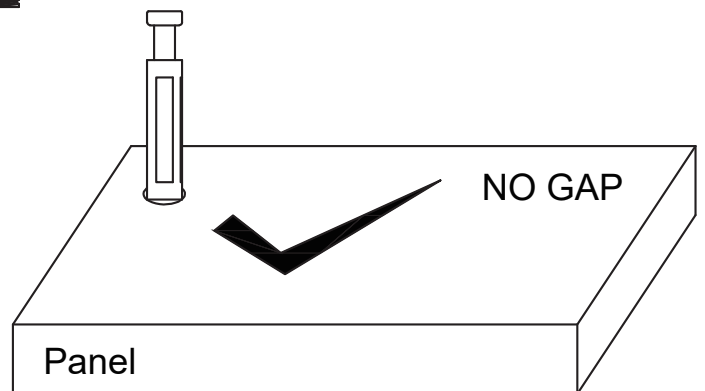
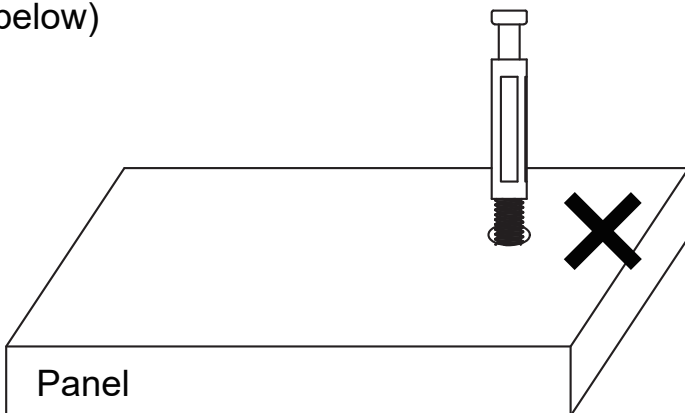
Dowel head needs to be in centre.

## HIDDEN DOWEL

Tighten until shoulder is flush with panel. Do not overtighten or undrtighten(see example below)

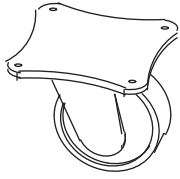


Shoulder



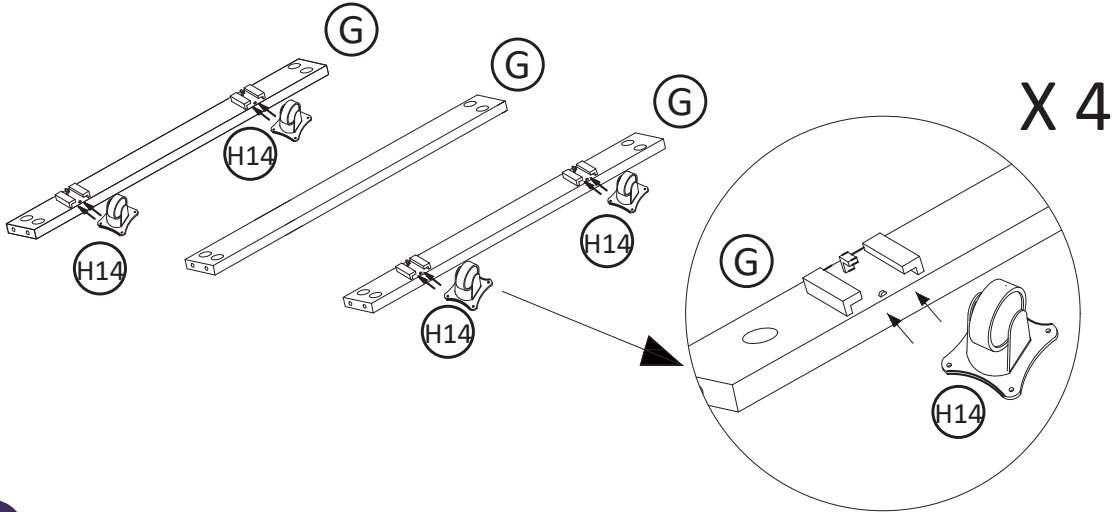


# Bed assembly



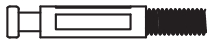
H14: Caster  
Qty: x4

**4** Fix the Casters (H14) to Support Rail (G).



**5** KIND REMINDER:  
Please refer to special tips (Page 8) when fixing hidden dowel and hidden cam.  
Fix the Support Rail (G) to panel (F and I) by using hidden dowel (H12) and hidden cam (H13).

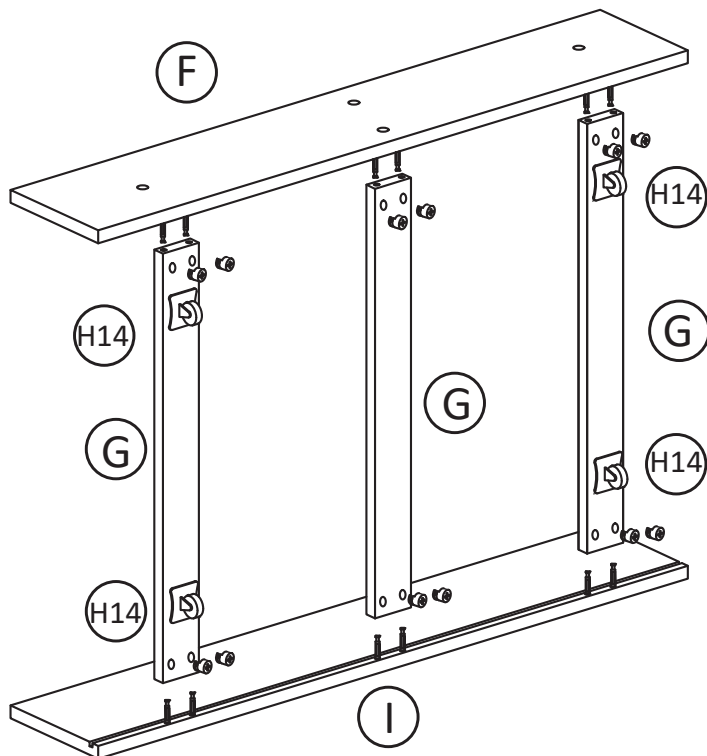
**Important:** No power drill for the drawer cross nuts tightening.



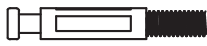
H12: Hidden Dowel  
Qty: x12



H13: Hidden Cam  
Qty: x12



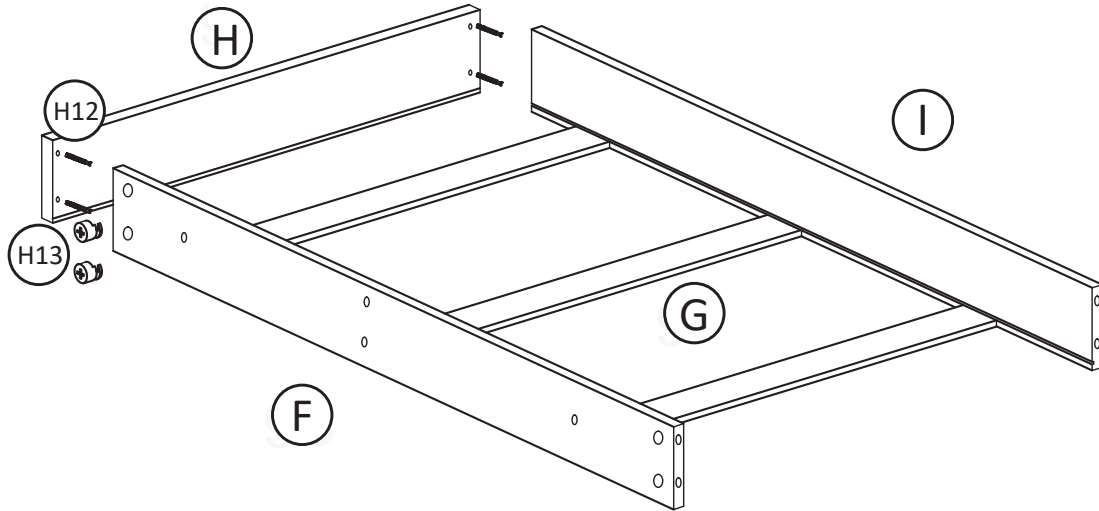
# Bed assembly



H12: Hidden Dowel  
Qty: x4

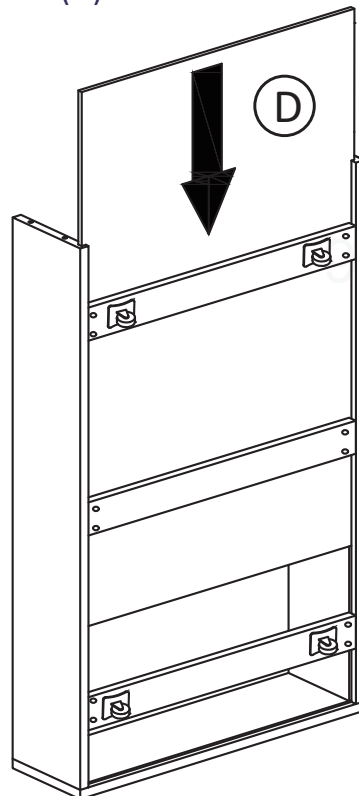
H13: Hidden Cam  
Qty: x4

- 6** Fix side panel (H) to panel (F and I) by using hidden dowel (H12) and hidden cam(H13).



**Important:** No power drill for the drawer cross nuts tightening.

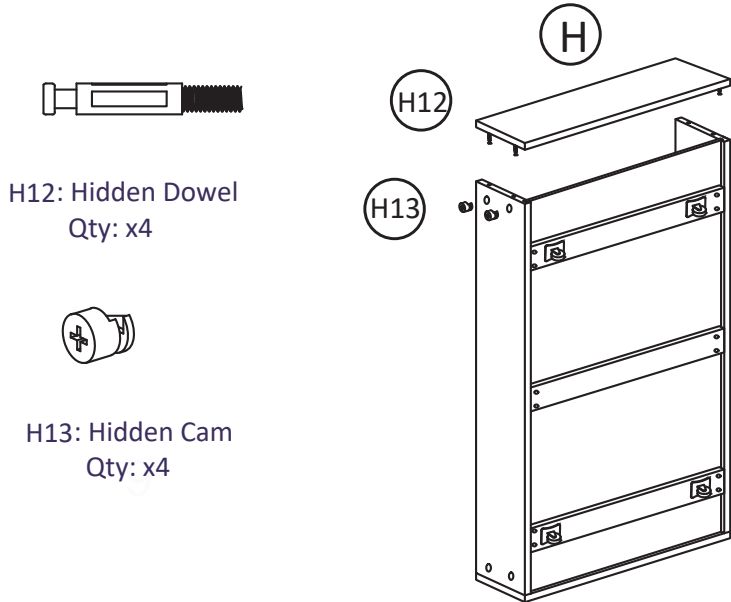
- 7** Insert the bottom board (D).



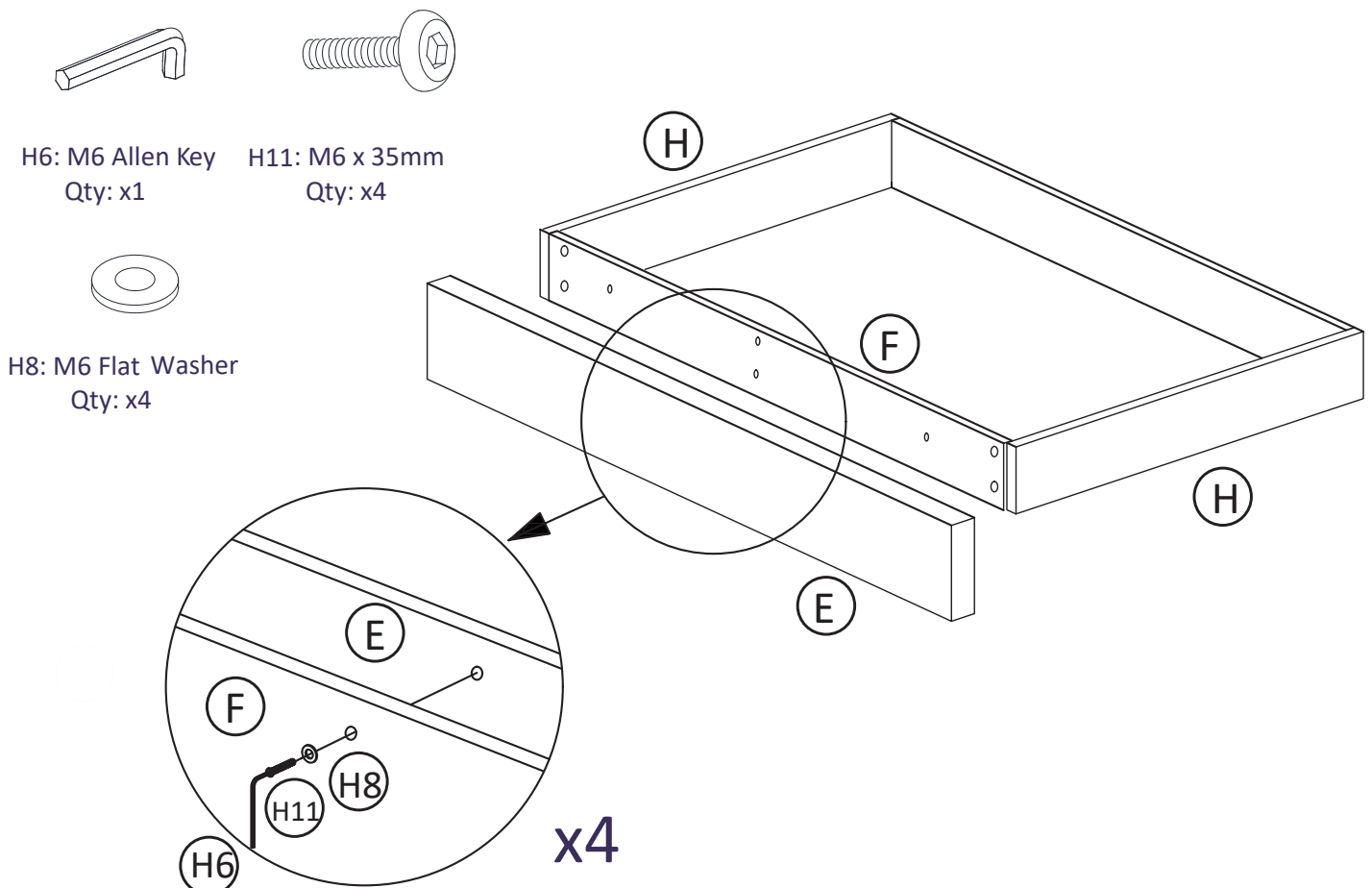
# Bed assembly

- 8** Fix the other piece of side panel (H) by using hidden dowel (H12) and hidden cam (H13).

Important: No power drill for the drawer cross nuts tightening.



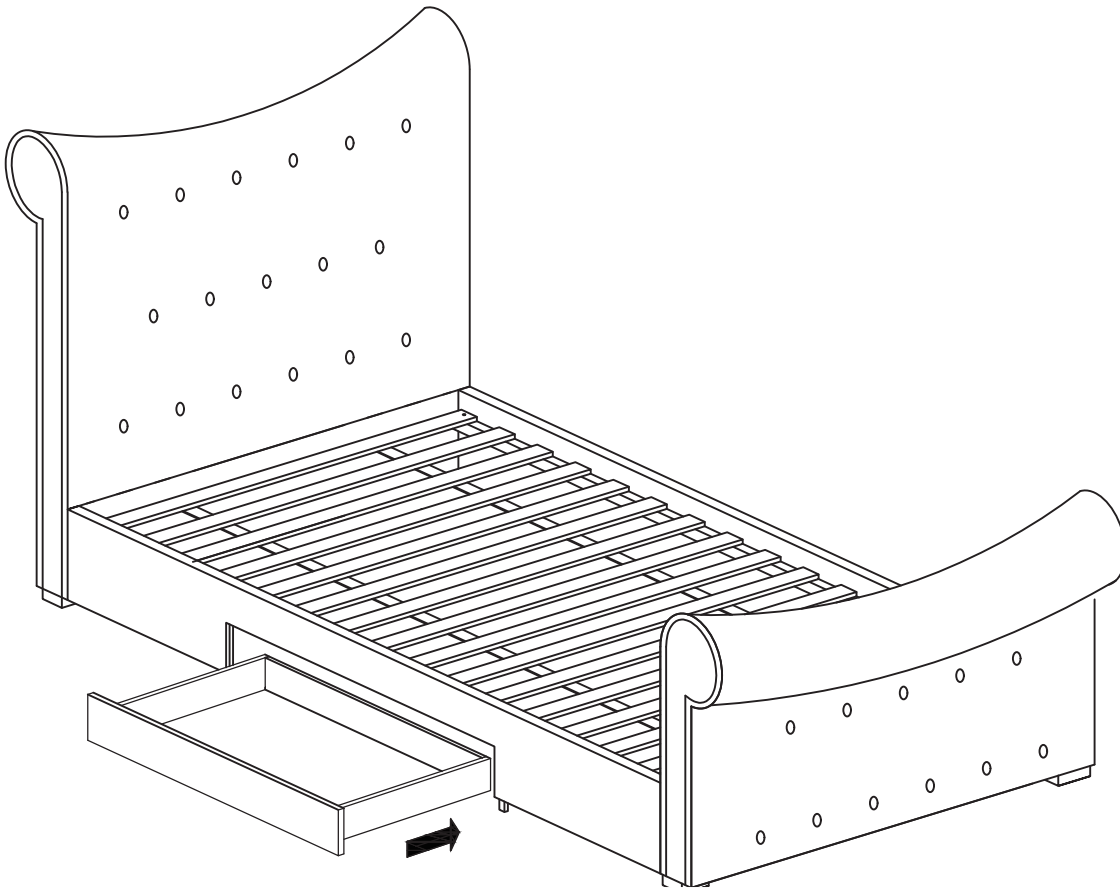
- 9** Fix the drawer front (E) to the front panel (F) by using bolt (H11) and flat washer (H8) with allen key (H6).



# Bed assembly

10

Important: If drawer front is not aligned with side rail, please unscrew the bolts inside to adjust height of of drawer front until it's aligned with side rails, and then tighten all bolts.



# Care and maintenance

Here are some tips to keep your new bed in tip-top condition



## Cleaning

To clean your new bed, we'd advise using a warm damp cloth - please do not use abrasive chemicals or bleach as this may damage the product.



## Checking and moving

Periodically we recommend you check that the screws or fixtures haven't been become loose, over time. To move your new bed, we recommend lifting it where possible, as dragging or pushing it could cause damage to your flooring.



## Wood

Please note each of our wooden pieces are unique, meaning that markings and shade can vary slightly between beds. Over a period of time, the wood might lighten or fade slightly due to light exposure.



## Fabric

Please note depending on the lighting, positioning and surroundings of your room, the shade of the colour can sometimes appear slightly different. Over a period of time, the colour might lighten or fade slightly due to light exposure.



## Metal

Metal tends to be more resilient to everyday wear and tear. We recommend to gently dust your metal furniture and keep it dry to maintain its look.

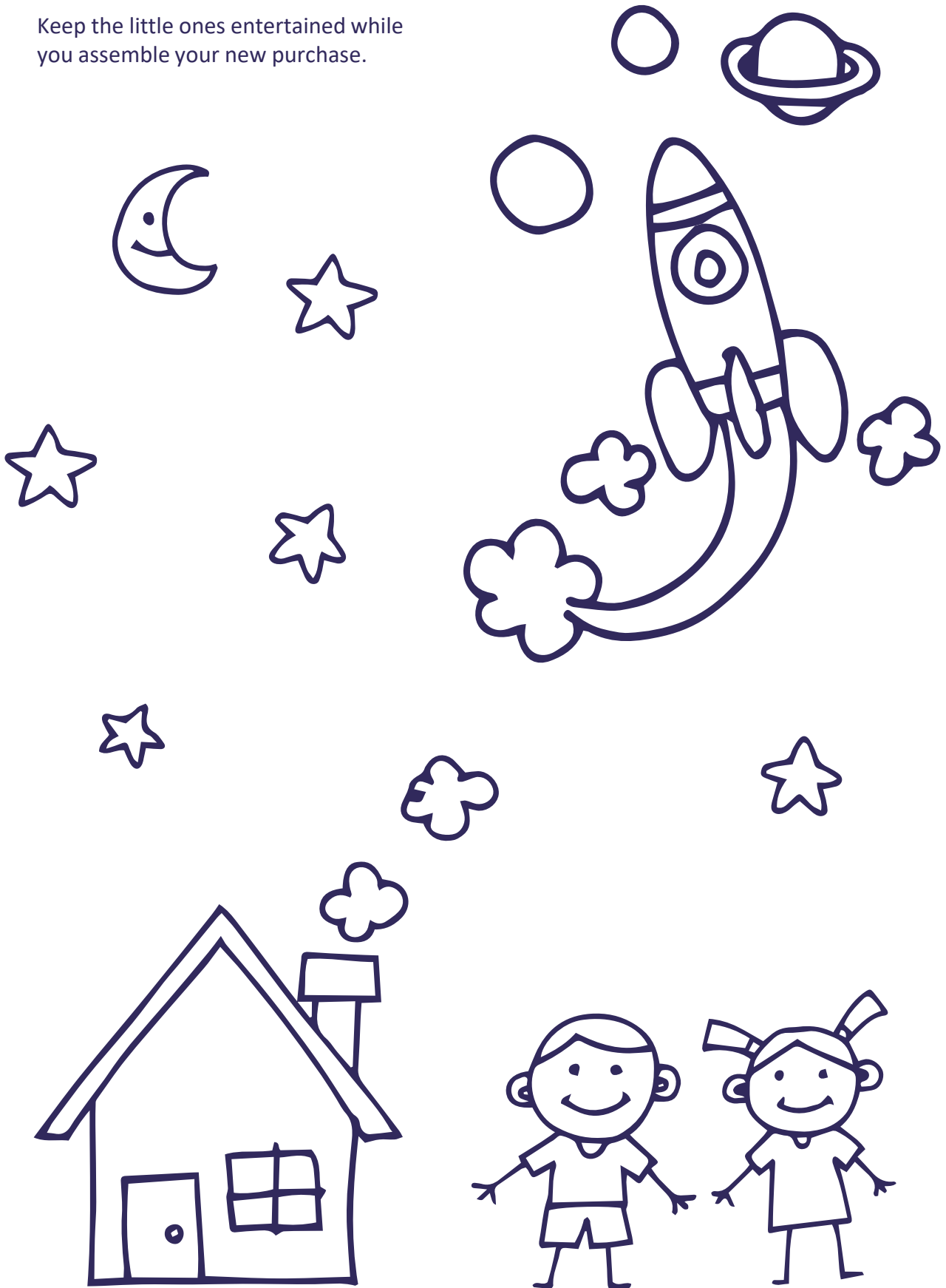
**Thank you for shopping with us - we hope you have a great night's sleep**

*Sleep well*



# Little dreamers

Keep the little ones entertained while you assemble your new purchase.



# Dreams